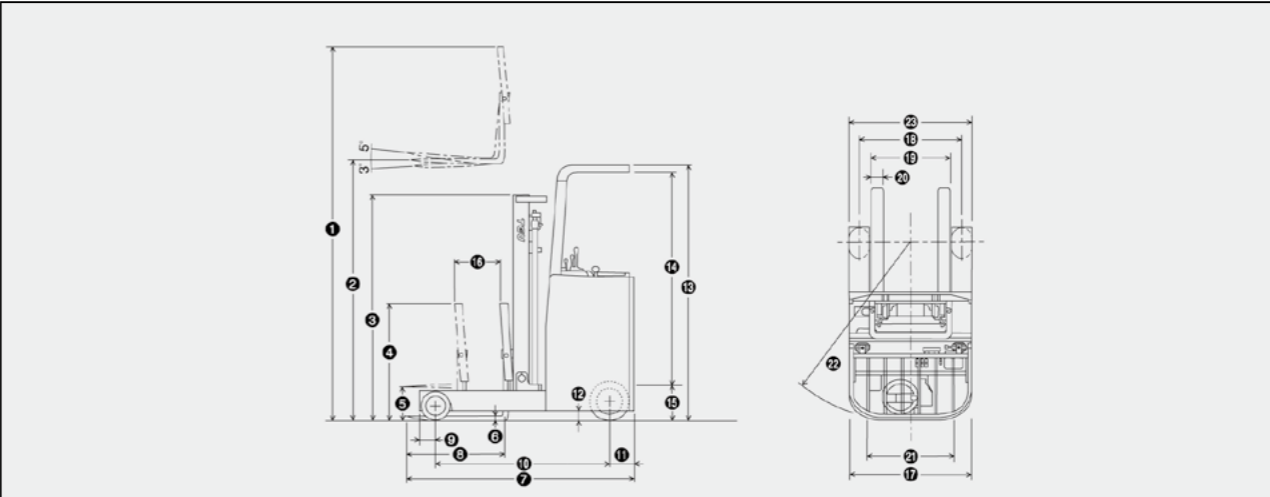


## Standard Truck Specifications

Specification	1	Manufacturer	<b>TEU</b>										
	2	Model	<b>FRB15</b>	<b>FRHB15</b>	<b>FRB18</b>	<b>FRHB18</b>	<b>FRB20</b>	<b>FRHB20</b>	<b>FRB25</b>	<b>FRHB25</b>			
	3	Load capacity	kg	1500		1800		2000		2500			
	4	Load center	mm	500									
	5	Power unit		Battery									
	6	Operation type		Stand type									
	7	Tire type		Polyurethane tire									
Dimensions	8	Max.lifting height	mm	3000	4000	3000	4000	3000	4000	3000	4000		
	9	Free lift	mm	105		110							
	10	Fork size (L*W*T)	mm	920×100×35		920×100×38		920×122×40					
	11	Tilt angle (fwd/ bwd)	deg	3°/5°									
	12	Total length	mm	1710	1890	1895	1895	1925	2095				
	13	Total width	mm	1090				1250					
	14	Mast height	mm	1995	2495	1995	2495	2035	2585	2035	2585		
	15	Overall height (fork raised)	mm	3925	4925	3925	4925	3930	4930	3930	4930		
	16	Height of head guard	mm	2260				2315					
	17	Tilting radius(outside)	mm	1580	1760		1800	1970					
	18	Distance from front wheel center to forks face	mm	165		170		165					
	19	Right angle stacking aisle	mm	2470	2540	2550		2640	2710				
	20	Reach Distance(mast)	mm	560	705		625	770					
Performance	21	Max.travelling speed fw/bw	full load	km/h								10.5	
		no load	km/h								11		
	22	Lifting speed full	full load	mm/s		270	250		245		240		
		no load	mm/s		510		510		480		480		
23	Lowing speed	full load	mm/s								450		
		no load	mm/s								550		
24	Gradeability(full load)	%	10										
Weight	25	Truck weight(without battery)	kg	1735	1725	1825	1905	2265	2375	2385	2475		
	26	Weight distribution (with standard battery)	full load	front axle	kg	2350	2150	2465	2510	2970	2800	3250	3300
				rear axle	kg	1375	1565	1650	1685	1860	2140	2200	2240
			no load	front axle	kg	710	670	690	730	890	900	880	920
				rear axle	kg	1515	1545	1625	1665	1940	2040	2070	2120
Chassis&wheels	27	Tires	number	front/rear	2/1 X+2 (X=驱动轮)								
			size	front load	mm	φ 254×120				φ 267×127			
				rear drive	mm	φ 330×145				φ 393×152			
		rear steering	mm	φ 178×73				φ 204×76					
	28	Wheelbase	mm	1345	1525	1525	1525	1530	1700				
	29	Thread	front/rear	mm	970/635				1125/705				
30	Ground clearance	at lowest point	mm	75									
		mast	mm	75				85					
31	Brake	service brake		mechanical									
		parkig brake		mechanical									
Drive line	32	Battery (standard) voltage/capacity	V/AH	48v/280				48v/320					
	33	Battery weight(standard)	kg	490				565					
	34	Electric motors	drive motor	kw/60min	4.6				6				
			hydraulic motor	kw/5min	8.2				8.6				
			steering motor	kw/60min	0.3								
	35	Control type	drive motor		AC Converter								
hydraulic motor				DC chopper									
steering motor				DC chopper									
36	Operating pressure	kg/cm <sup>2</sup>	140		160		175						

## Standard dimension



Model	Items	Battery Box Size (L×W×H)	Capacity	Weight (with battery box)
FR(H)B15/FR(H)B18		375×958×570	280Ah/5h	490kg
FR(H)B20/FR(H)B25		395×1140×570	320Ah/5h	565kg

Model	Unit	FRB15	FRB18	FRB20	FRB25	FRHB15	FRHB18	FRHB20	FRHB25
① Overall height of fork raise(with load backrest)	mm	3925	3925	3930	3930	4925	4925	4930	4930
② Max lifting height	mm	3000	3000	3000	3000	4000	4000	4000	4000
③ Overall height(fork lower)	mm	1995	1995	2035	2035	2495	2495	2535	2535
④ High backrest	mm	900	900	900	900	900	900	900	900
⑤ Free lift	mm	105	110	410	410	105	110	410	410
⑥ Fork thickness	mm	35	38	40	40	35	38	40	40
⑦ Overall length	mm	2070	2110	2220	2245	2105	2110	2245	2245
⑧ Fork length	mm	920	920	920	920	920	920	920	920
⑨ Front overhang	mm	130	130	135	135	130	130	135	135
⑩ Wheel base	mm	1345	1525	1530	1700	1525	1525	1700	1700
⑪ Rear overhang	mm	200	200	230	230	200	200	230	230
⑫ Ground clearance(truck body)	mm	75	75	75	75	75	75	75	75
⑬ The height of head guard	mm	2260	2260	2315	2315	2260	2260	2315	2315
⑭ Height from head guard to pedal	mm	1910	1910	1920	1920	1910	1910	1920	1920
⑮ Height of operate pedal	mm	310	310	355	355	310	310	355	355
⑯ Mast forward distance	mm	560	705	625	770	705	705	770	770
⑰ Width of truck body	mm	1090	1090	1250	1250	1090	1090	1250	1250
⑱ Tread(front)	mm	970	970	1125	1125	970	970	1125	1125
⑲ Fork spread(outside)	mm	250-720	250-720	290-820	290-820	250-720	250-720	290-820	290-820
⑳ Fork width	mm	100	100	122	122	100	100	122	122
㉑ Tread(rear)	mm	635	635	705	705	635	635	705	705
㉒ Turning radius(outside)	mm	1580	1760	1800	1970	1760	1760	1970	1970
㉓ Mast bracket width	mm	1080	1080	1240	1240	1080	1080	1240	1240

### Wide view mast VM

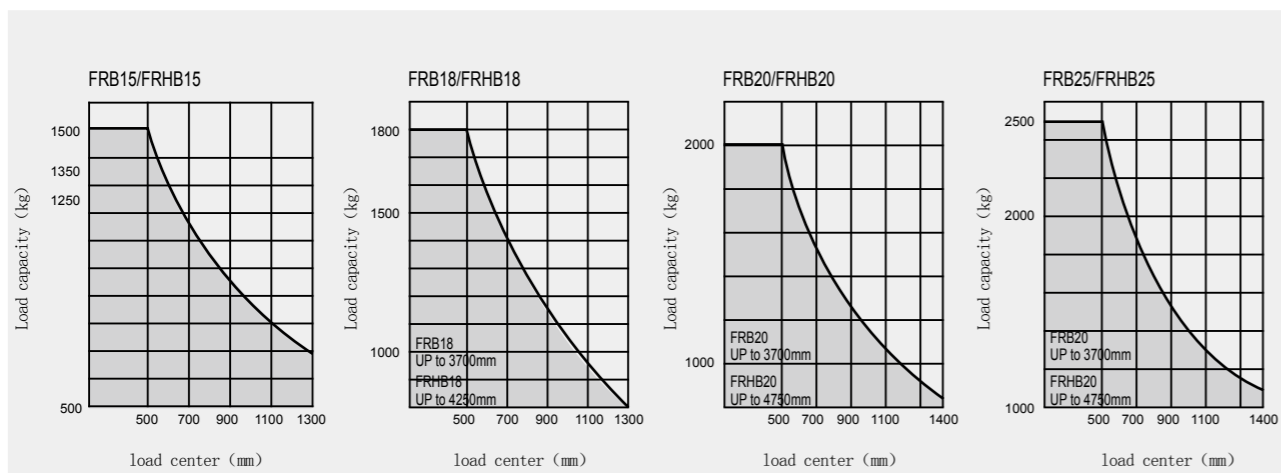
Mast model	Max lifting height	Mast height		Load capacity							
		fork lift	fork low	FRB15	FRB18	FRB20	FRB25	FRHB15	FRHB18	FRHB20	FRHB25
	mm	mm	mm	kg	kg	kg	kg	kg	kg	kg	kg
VM270	2700	3625	1845	1500	1800	2000	2500	-	-	-	-
VM300	3000	3925	1995	1500	1800	2000	2500	-	-	-	-
VM330	3300	4225	2145	1500	1800	2000	2500	-	-	-	-
VM350	3500	4425	2245	1500	1800	1950	2500	-	-	-	-
VM370	3700	4625	2345	1500	1800	1950	2500	-	-	-	-
VM400	4000	4925	2495	1400	1700	1950	2400	1500	1800	2000	2500
VM425	4250	5175	2670	1350	1650	1850	2400	1500	1800	2000	2500
VM450	4500	5425	2795	1350	1600	1850	2350	1500	1700	2000	2500
VM475	4750	5675	2920	1200	1500	1750	2200	1500	1600	2000	2400
VM500	5000	5925	3045	1200	1450	1750	2200	1300	1500	1950	2400

### 3stage free lift mast VFHM

Mast model	Max lifting height	Mast height		Load capacity			
		fork lift	fork low	FRHB15	FRHB18	FRHB20	FRHB25
	mm	mm	mm	kg	kg	kg	kg
VFHM400	4000	4925	1870	1500	1800	2000	2500
VFHM435	4350	5275	1995	1500	1700	2000	2500
VFHM480	4800	5725	2145	1400	1600	1950	2450
VFHM500	5000	5925	2245	1400	1500	1900	2350
VFHM550	5500	6425	2410	1200	1300	1800	2250
VFHM600	6000	6925	2595	650	700	1700	2100

# FRB Series 15-25

## Electric Reach Forklift Truck



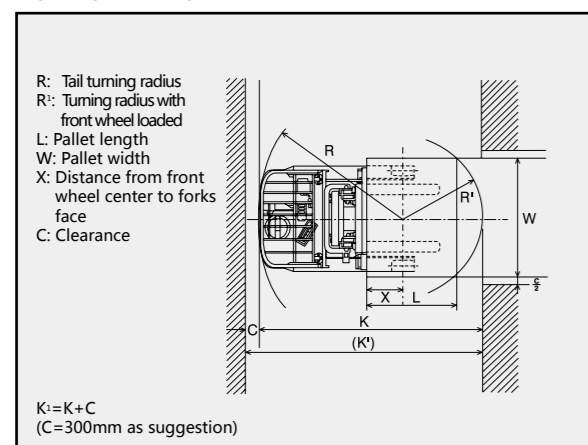
**Notes :**

Vertical axis represents load capacity ; Horizontal axis shows load center , Load center are determined from front face of the fork.  
Capacity based on a 1000mm cube load configuration with the center of gravity at the true center of the cube , and standard fork.  
The load capacity will be reduced while the mast tilt forward or loading with longer forks or lifting transformable width of goods. Getting the load capacities at the various load centers timely via the load curve.  
Load capacity marked on the nameplate.

**Right Angle Stacking aisle width**

Pallet Size	W	L	W	L	W	L	W	L	W	L	W	L	Unload
	1000	800	1100	800	1000	1000	1100	1000	1200	1000	1100	1100	
FRB15		2220		2260		2360		2400		2430		2470	2200
FRHB15		2320		2370		2440		2480		2520		2540	2260
FRB18		2330		2370		2440		2480		2520		2550	2270
FRHB18		2330		2370		2440		2480		2520		2550	2270
FRB20		2400		2450		2540		2570		2610		2640	2390
FRHB20		2510		2550		2610		2650		2690		2710	2470
FRB25		2510		2550		2610		2650		2690		2710	2470
FRHB25		2510		2550		2610		2650		2690		2710	2470

**Right Angle Stacking aisle width**



**Standard equipment:**

- Wide view mast ●Load backrest, Axial fork carrier ●920mm fork ●Electric power steering ●Head guard ●lifting lever, tilting lever, reach lever ●3th valves with safety valve (lifting, tilting, reach) ●hydraulic oil gauge ●over-load one-way valve ●Lifting oil way controlling valve ●Disc brake ●Drawer type battery case ●Pen holder ●Armrest ●Back cushion ●Emergency cut -off device ●Low- voltage protection device ●Lifting speed control ●Over head front lamp ●Reversing Buzzer ●Electric horn ●Neutral -safety switch ●Steering indicate lamp ●liquid crystal display ●folder ●Tools
- ※ install side-shifter with 4valves/lever/pipings etc.

**Options:**

**Mast and attachments:**

- 3 stage full free mast ●Side shifter ●Plat clamp ●Paper roll clamp

**Others:**

- Rotating warning lamp ●Rear working lamp

**Note:**

TEU products and specifications changes without prior notice  
TEU products equip with standard safety device  
TEU is not responsible for the damage occurred by removing its safety device.



TEU has passed ISO9001 quality system certification

### ANHUI TEU FORKLIFT TRUCK.CO.,LTD.

Tel: +86-0551-65717981 Fax: +86-0551-65711998  
Add: No.656, Fangxing Road, Hefei, Anhui, China.  
Web: www.teuforklift.com  
E-mail: admin@teuforklift.com



Distributor :

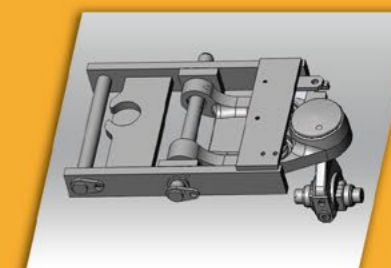


### Three Features



**2 Wide Vision**

Comparing with counter balanced battery forklift, the mast view of reach truck is increased by 10%, which makes operation easier.



**3 Linkage system**

Linkage mechanism with independent training wheel, makes vehicle more stable, adopted with copper alloy self lubricating bearing, maintenance free.

**1 Convenient Battery Sliding Device**

Power-driven pull type battery, equipped with slide, convenient for examining and maintenance, durable and lighter.

